

Neon[®] EC

Conductivity measurement

Single channel water monitoring instrument

Neon[®] is a leading edge measuring and control instrument. Its range of functions can be tailored according to customers' applications. The entry level version contains inputs for measurements and temperature, one digital input and an alarm relay. Various add-ons are available to expand the functionality as well as wall mounted or panel mounted housing.

Neon's[®] water measurement process can be controlled at any time, from any place, on any device via Kuntze's Cloud Connect[®] service. All Kuntze products are Made in Germany.



Applications



Process Water



Disinfection



Drinking Water



Food & Beverage



Waste Water
Treatment



Pool & Spa

Neon® EC

Technical data

Measuring range

Conductivity (inductive)	up to 2.000 mS/cm, 20.00 mS/cm, 200.0 mS/cm, bis 2000 mS/cm
Conductivity (conductive)	up to 2.000 µS/cm C=0.05/cm (TDS 1.000 ppt)
	up to 20.00 µS/cm C=0.05/cm (TDS 10.00 ppt)
	up to 200.0 µS/cm C=0.05/cm (TDS 100.0 ppt)
	up to 2.000 mS/cm C=0.20/cm, 20.00 mS/cm C= 1.00/cm

Input characteristic

Temperature measuring range	-30.0.. +140.0 °C (-22.0 ° .. 284 °F)
Temperature compensation	0.0 .. 8.0 % / K adjustable or ultrapure water compensated (EC)
Digital input	1 as controller stop by external contact, option: 2 nd as controller stop

Output characteristics

Alarm relay	1 potential-free NO contact, max. 250 V, 6 A, 550 VA (invertable)
Output signal	Option: 2 x 0/4 .. 20 mA (scaleable, galvanically isolated)
	Load 500 Ohm
	Registration range Scaleable within the measuring range
Storage media	SD card up to 1 GB – Industry standard
Serial interface	Option RS 485 Modbus RTU
	Baud rate 19200 bps
	Data format 8 bit

Power supply

Line voltage	85.. 265 V AC, +6/-10 %, 50.. 60 Hz; option: 24 V DC
Power consumption	10 V

Ambient conditions

Temperature	Storage -20 .. +65 °C (-4 ° .. +149 °F)
	Operation 0 .. +50 °C (32 ° .. 122 °F)
Humidity	max. 90 % rH bei 40 °C (non-condensing)
Protection class	Wall mounted IP 65
	Panel mounted IP 54 (front), IP 30 (housing)

Controller

Control response	Option: on/off controller (adjustable hysteresis) P / PI / PID controller (pulse-frequency or continuous output) servo motor control
Relay	2 relays, each with a potential-free N/O contact, max. 250 V, 6 A, 550 VA
Start delay	0.. 200 seconds until controller active
Controller stop	Digital input

Certificates and approval

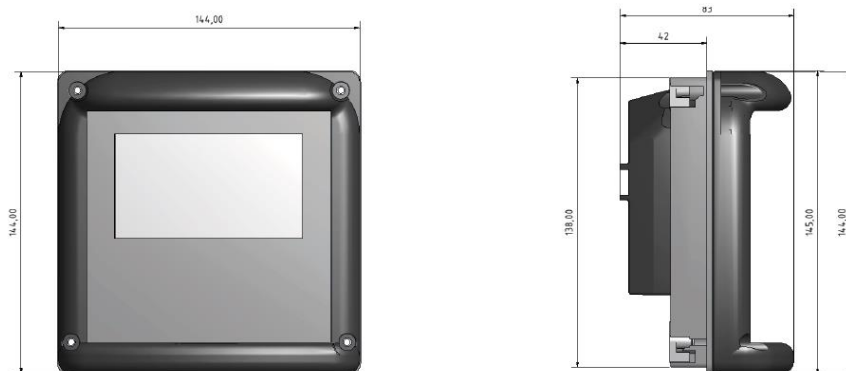
CE-Symbol	The product meets the requirements of the harmonized European standards and complies with the legal requirements of the EC directives.
EMV/EMC	EN 61000 6-1 (3) EN 61000 6-2 (4) EN 61326-1

Design configuration

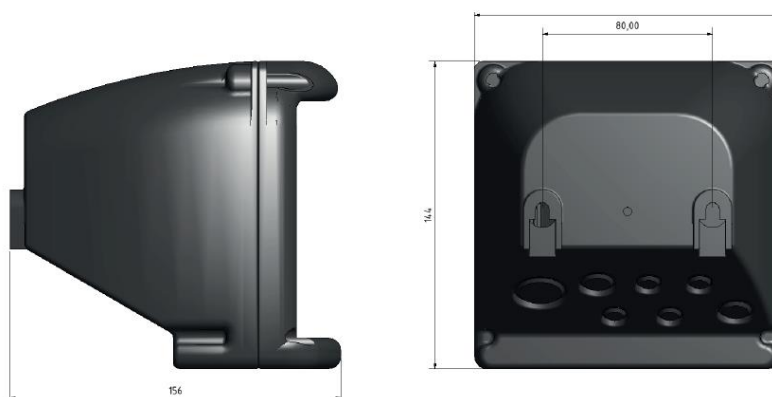
Material	ABS
Dimensions	Panel mounted housing 138 x 138 x 83 mm (max. Wall thickness: 5 mm) Wall mounted housing 144 x 144 x 156 mm
Mounting dimension	Panel mounted housing 138 x 138 x 42 mm
Weight	0.6 kg (wall mounted housing: 1 kg)
Connection	Cable inlet 2 x M16, 2 x M12 + optional: 2 x M12 and 1 x M25
	Plug-in terminal rigid / flexibel 0.2 – 2.5 / 0,2 – 2.5 mm ²
	Measurement rigid / flexibel 0.2 - 1 / 0.2 – 1.5 mm ²

Mechanical drawing

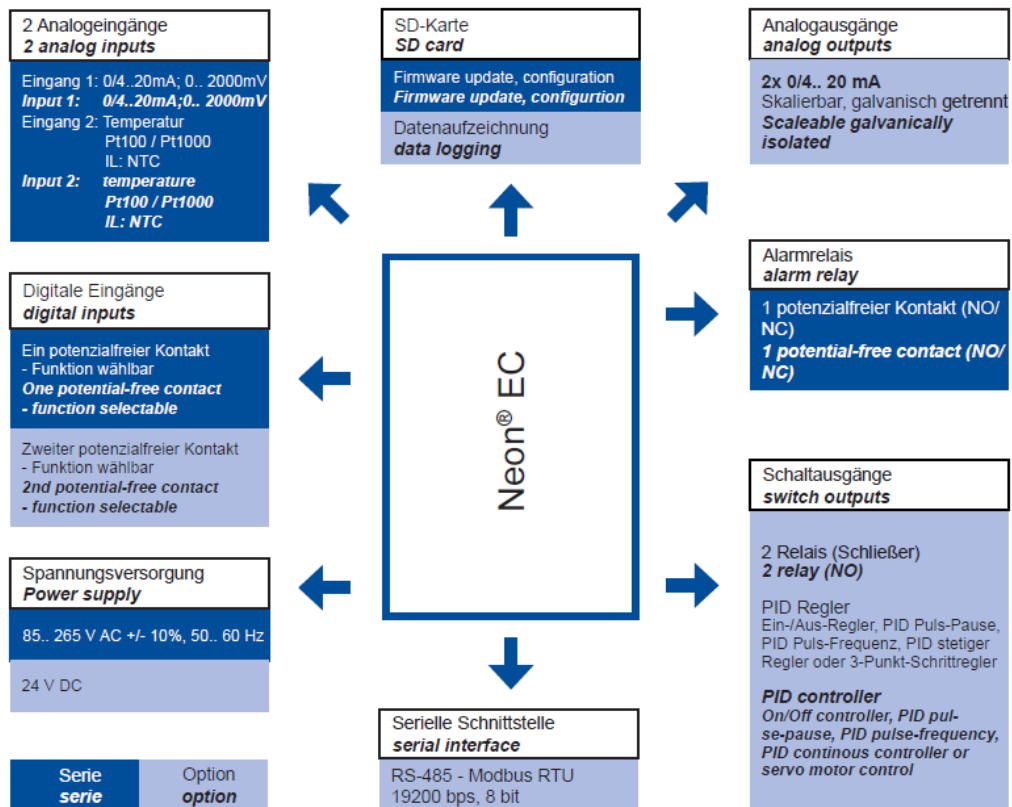
Neon® panel mounted



Neon® wall mounted



Interface diagram



Kuntze Instruments GmbH

Su representante:



**tecnologías y equipos
para el medio ambiente**

Tel. 93.896.48.52
teqma@teqma.com
www.teqma.com