

# Krypton® DIS

## Disinfectant measurement

### Single channel water monitoring system




Controlled and reliable measurements are driven by Kuntze Krypton® systems. The measuring system includes all customer needs for disinfectant measurements: instrument, software, sensors, assembly and cables.

The Kuntze Krypton® DIS is used to measure Free Chlorine, Chlorine Dioxide, Ozone or Hydrogen Peroxide and temperature. Measuring range can be chosen via the instruments menu. Kuntze Krypton® DIS is delivered fully assembled and ready to use.

The water measurement process can be controlled at any time, from any place, on any device via Kuntze's Cloud Connect® service. All Kuntze products are Made in Germany.



### Applications

-  Process Water
-  Disinfection
-  Drinking Water
-  Waste Water Treatment
-  Pool & Spa

## Technical data

### Measuring range

Free Chlorine, Chlorine Dioxide, Ozone	up to 1000 µg/l, 5,00 / 10,00 / 20,00 mg/l
Hydrogen Peroxide	up to 1000 µg/l, 5,00 / 10,00 mg/l up to 30,00 mg/l

### Input characteristic

Temperature measuring range	-30,0.. +140,0 °C (-22.0°.. 284 °F)	
Temperature compensation	0,0.. 8,0 %/K adjustable coefficient	
Digital input	1 as controller stop by external contact, option: 2nd as controller stop or flow measurement for volume based dosing	
Process conditions assembly	Flow input	> 0.5bar (7.3 psi)
	Flow output after	~30l/h (7.9 gph)
	Stabiflow	
	Temperature	0..50 °C
pressure	< 6 bar @20°C (87psi @ 68°F)	

### Output characteristics

Alarm relay	1 potential-free N/O contact, max. 250 V, 6 A, 550 VA (invertable)	
Output signal	Optional: 2 x 0/4 .. 20 mA (scaleable, galvanically isolated)	
	Load	Max. 500 Ohm
	Registration range	Scaleable within the measuring range
Storage media	SD card up to 1 GB - Industry standard	
Serial interface	Option	RS 485 Modbus RTU
	Baud rate	19200 bps
	Data format	8 bit

### Power supply

Line voltage	85.. 265 V AC, +6/-10 %, 50.. 60 Hz; option: 24 V DC
Power consumption	10 VA

### Process conditions

Temperature	Storage	-20°.. +65 °C (-4 °..+149 °F) exception sensor: 0..+30 °C (32 °..86 °F)
	Operation	0 .. +50 °C (32 °.. 122 °F)
pH range	Free Chlorine	pH 6...8
	Chlorine Dioxide, Ozon, Hydrogen Peroxid	pH 6...9
Humidity	Max. 90 % rH at 40°C (non-condensing)	
Ingress protection	Wall mounted	IP 65

### Controller

Control response	Option: on/off controller (adjustable hysteresis) P/PI/ PID controller (pulse-pause, pulse-frequency or continuous output) 3-point controller
Relay	2 relays, each with a potential-free N/O contact, max. 250 V, 6 A, 550 VA
Start delay	0.. 200 sec until controller activation
Controller stop	Digital input

**Proportion to volume**

Control mode	Option: volumed based by flow measurement
Flow measurement	Impuls measurement NPN (by digital input 2)
Flow measurement	Engine speed 0.030.. 9.999 l/Imp
Relais 1	Potential-free N/O contact, max. 250 V, 6 A, 550 VA (pulse-pause, pulse-frequency)
Relay 2	Activating circulation pump

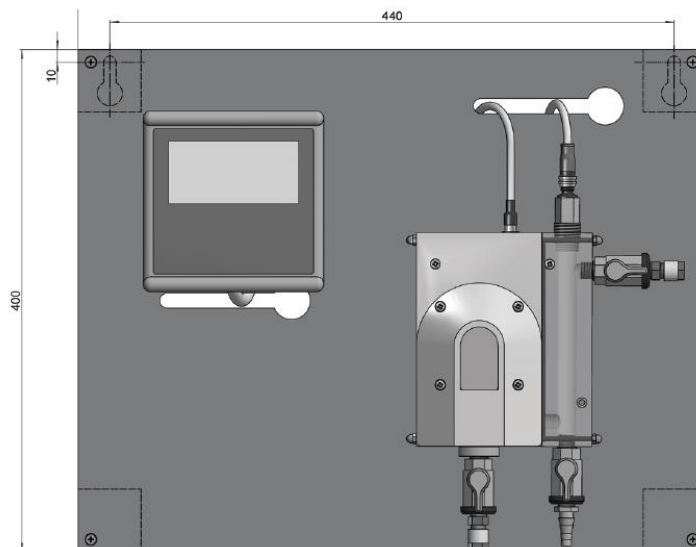
**Certificates and approval**

CE-Symbol	The product meets the requirements of the harmonized European standards and complies with the legal requirements of the EC directives
EMC	EN 61000 6-1 (3) EN 61000 6-2 (4) EN 61326

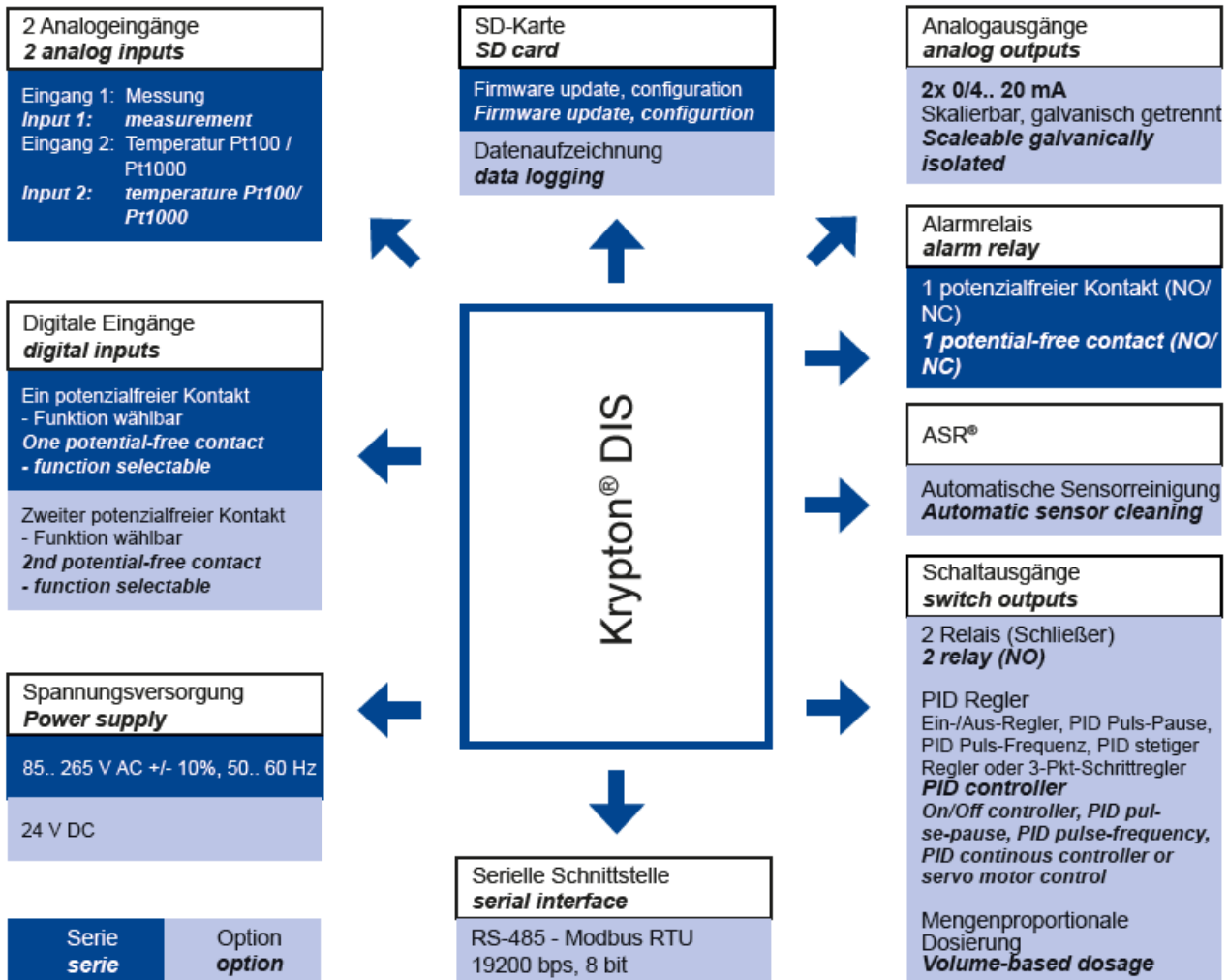
**Design configuration**

Material	Board Assembly Instrument Sensor	PVC PVC ABS Glass, plastic / gold / platin / Hastelloy
Dimensions	400 x 500 mm	
Connection	cable inlet plug-in terminal relays / power supply distribution block water hose connection	1 x M16, 2 x M12 rigid / flexible 0.14 - 1.5 mm <sup>2</sup> rigid / flexible 0.2 - 1 / 0.2 - 1.5 mm <sup>2</sup> rigid / flexible 0,5 - 1,5 / 0,5 - 1,5 mm <sup>2</sup> DN 6/8

**Mechanical drawing**



## Interface diagram



Kuntze Instruments GmbH  
Robert-Bosch-Str. 7a  
40688 Meerbusch  
Germany

+49 2150 70660  
info@kuntze.com  
www.kuntze.com

**teqma**

**tecnologías y equipos  
para el medio ambiente**

Ronda Europa 60, 3º 3ª  
08800 Vilanova i la Geltrú  
Tel. +34 93 896 48 52  
teqma@teqma.com

Version: 201909